

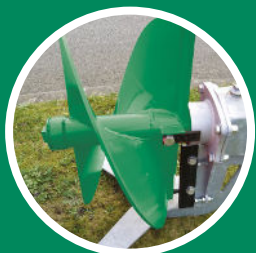


B.MIX



THE ULTIMATE MIXER

Depth control of our mixers is operated from your tractor seat by one hydraulic ram. It is equipped with a spiral-shape mixing screw. For perfect mixing and chopping, two sharp blades are attached to the base of the screw and an adjustable counter blade is attached to the end of the chassis. The liquid pit content is mixed efficiently. This design helps to avoid build-up of materials around the main shaft.



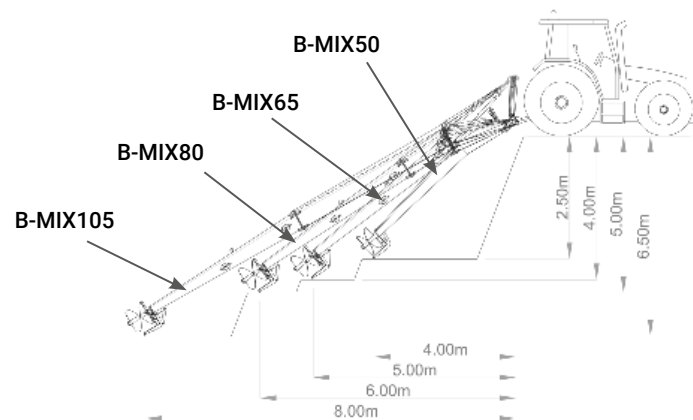
Blades + counter blade



Protection foot



Galvanized protection frame



B-MIX	50	65	80	105
Chassis	Fully galvanised heavy duty box section			
Screw type	Propeller			
Length	5 m	6,5 m	8 m	10,5 m
Mixing depth	2,5 m	4 m	5 m	6,5 m
Weight	420 kg	600 kg	780 kg	950 kg

B-MIX	50	65	80	105
Galvanised protection frame Ø600 (Dutch pit)	<input type="checkbox"/>	<input type="checkbox"/>	<input type="checkbox"/>	<input checked="" type="checkbox"/>
Protection foot for plastic lined lagoons	<input type="checkbox"/>	<input type="checkbox"/>	<input type="checkbox"/>	<input type="checkbox"/>
Hour counter	<input type="checkbox"/>	<input type="checkbox"/>	<input type="checkbox"/>	<input type="checkbox"/>
Notebook tube	<input checked="" type="checkbox"/>	<input checked="" type="checkbox"/>	<input checked="" type="checkbox"/>	<input checked="" type="checkbox"/>
Centralised greasing	<input type="checkbox"/>	<input checked="" type="checkbox"/>	<input checked="" type="checkbox"/>	<input checked="" type="checkbox"/>
Sign boards kit	<input type="checkbox"/>	<input type="checkbox"/>	<input type="checkbox"/>	<input type="checkbox"/>
Heavy duty Standard P.T.O shaft 6 splines	<input type="checkbox"/>	<input type="checkbox"/>	<input type="checkbox"/>	<input type="checkbox"/>
Wide angle P.T.O shaft 6 splines	<input type="checkbox"/>	<input type="checkbox"/>	<input type="checkbox"/>	<input checked="" type="checkbox"/>

Not compatible
 Standard equipment
 Available as an option